



98B93K

98" MONITOR SIGNAGE DISPLAY

Virtual Reality Screen Attract all Eyes, Bright Colors Help.
The Public Relations System or Teleconference is Easy.
Modify Various Content as You Wish, Fast, Timely, and Convenient.



Highlights:



4K Ultra-High-Definition

4K Screen Display Brings Fine and Stable Image Enjoyment, Builds up Perfect Visual Experience.)



178° Wide Viewing Angle

The 178° Ultra-Wide Viewing Angle is ideal to View The Performance From Various Angles as you Walk Through it.



USB flash Drive

Support U Disk Playback and Quick Software Upgrade. (Support Play and Quick Upgrade Via USB Flash Drive.)



Square Design

Square Design, Concealed infrared Signal Receiving, Optional with Plug-and - Play OPS Computer, Delicate Texture.



Automatic Color

Using automatic color and image enhancement processor, the image quality is optimized, and the details are well displayed. (Automatic color and image enhancement processor is used to improve picture quality, excellent display details.)



Support HDMI

Support HDMI, VGA and other signal inputs, monitor images more clearly, suitable for various professional applications. (Support multiple signal inputs such as HDMI and VGA get high-definition monitoring)



Round-the-Clock operation

You are Completely Free to Choose your Content Management System to Help Display your Ads. Rest Assured that your Content Will Be Delivered 18/7. And Reliable

Display :

LCD Size	98"
Backlight Type	D-LED
Resolution	3840 x 2160
Brightness	500
Contrast Ratio	1200 : 1
Response Time	8ms
Pixel Pitch (mm.)	0.5622 (H) x 0.5622 (V)
Refreshing Frequency	120 Hz
Viewing Angle	178°(H) x 178°(V)
Lift Time	50,000 hrs
Color Gamut (NTSC)	70%
View Area (mm.)	2158.848 (H) x 1214.352 (V)
Display Color	1.07B (10bit)

Interface :

HDMI iN	x1 HDMI2.0
DP iN	x1 DP1.2a
VGA iN	x1 DB15
DVI-D iN	x1 DVI-D
BNC iN	x1 75Ω:Pal , Ntsc , Secam , Bnc
OPS	x1 JAE
USB	x2 USB2.0 , Type-A
Audio iN	x1 0.2-2Vrms ϕ 3.5mm. mini
Audio Out	x1 L/R : 0.2-2Vrms ϕ 3.5mm. mini
SPDIF	x1 16Mbps
LAN	x1 10M/100M, RJ45
RS232 iN	x1 DB9

Electrical :

Chipset	MSD8386
Architecture	ARM A73+A53
Working Frequency	1.5GHz
Core	Quad Core
GPU	MaliG51
RAM	2GB DDR
ROM	16GB
OS	Android 8.0
Power Requirements	AC 100 V ~ 240 V, 50/60 Hz
Power Consumption Without OPS	380W
Standby Condition	<0.5W
Audio Output Power	2x15W/8 Ω
OPS Power	DC 18V/5A

Structure :

Product Size	2204.85x101.7x1260.35mm.
Package Size	2525x435x1750mm.
Housing Material	Aluminum/Sheet Metal
Housing Color	Black/Black
VESA	4-M8 800x600mm.

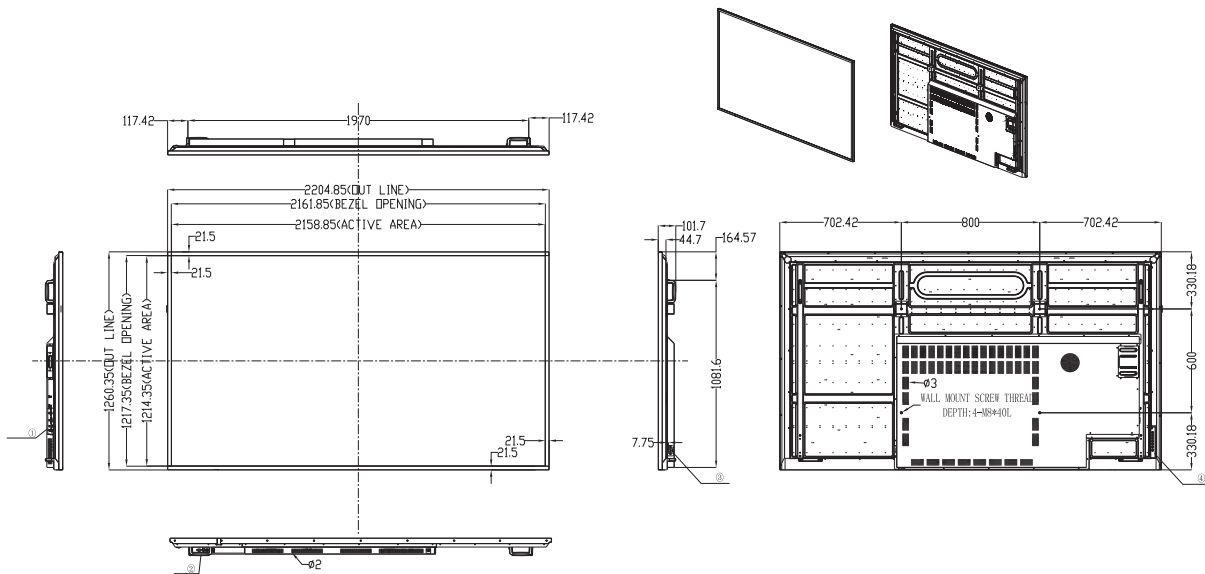
Accessories :

- Remote Control x1
- Qualified Certificate Lable x1
- Warranty Card x1
- 3M Power Cord x1
- Instruction x1
- Wall Mount x1

Option :

OPS : CPU i7 - 10700 RAM : 8 G SSD : 256 G

Display Dimensions :



AZZA SALES (THAILAND) CO., LTD.

5 Borommaratchachonnani 81, Chimplee, Taling Chan, Bangkok 10170

Identification Number : 0105565036975

Tel. 099-151-5951 (Bell)

www.azza.co.th

info@azzasales.com

Agent: